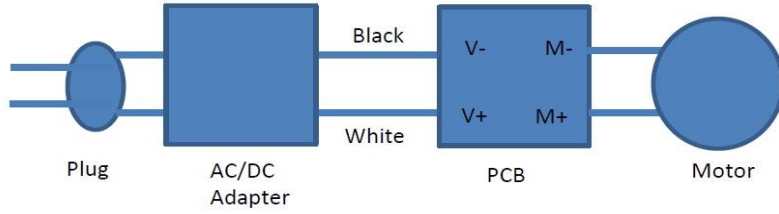


INDEX NO.	PART NUMBER	WAS PART NO.	DESCRIPTION	Basic Parts 078006 (PURPLE)											
-----------	-------------	--------------	-------------	--------------------------------	--	--	--	--	--	--	--	--	--	--	--

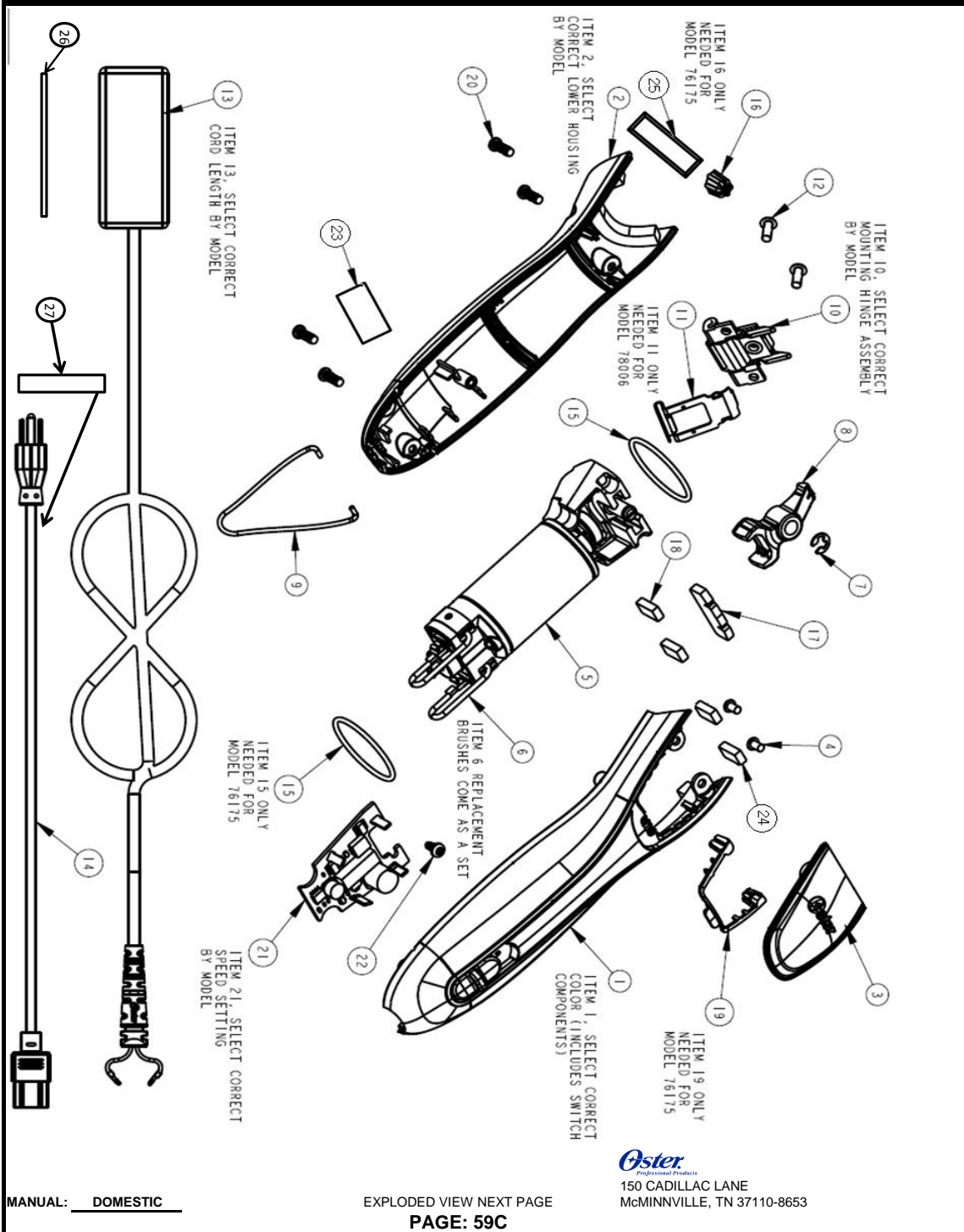


MANUAL: DOMESTIC

EXPLODED VIEW NEXT PAGE
PAGE: 58C

Oster
 Professional Products
 150 CADILLAC LANE
 McMINNVILLE, TN 37110-8653

INDEX NO.	PART NUMBER	WAS PART NO.	DESCRIPTION	Basic Parts	078006 (PURPLE)
-----------	-------------	--------------	-------------	-------------	-----------------



MANUAL: DOMESTIC

EXPLODED VIEW NEXT PAGE
PAGE: 59C

Oster
 Professional Products
 150 CADILLAC LANE
 McMINNVILLE, TN 37110-8653